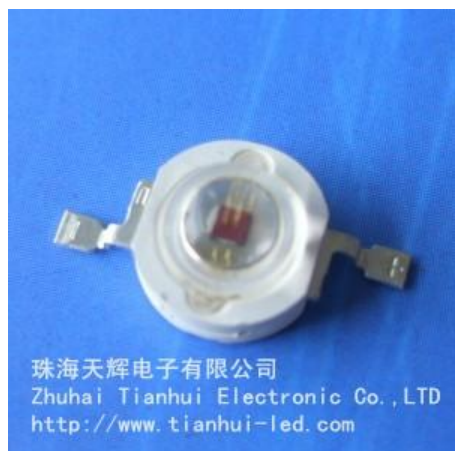


1W High Power Infrared Leds-850nm



- **Model:**TH-HIR1A-850
- **Brand:**TH / TIANHUI
- **Price:** [\[Login\]](#) [\[Register\]](#)

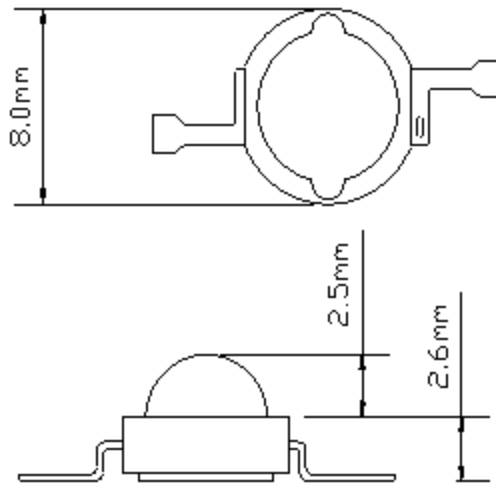
Feedback

1W High Power Infrared Leds-850nm

Part No.	Working Current IF(mA)	Forward Voltage VF(V)	Wavelength λ D(nm)	Optical Output (mW)	Viewing Angle (°)
TH-HIR1A-850	350	1.0-1.7	850	100-130	120

Application Industry:

1. Phtographing equipment
2. surveillance cameras
3. remote controller
4. other special applications



1. All dimensions are in millimeters.
2. Tolerance is ± 0.25 unless otherwise noted